

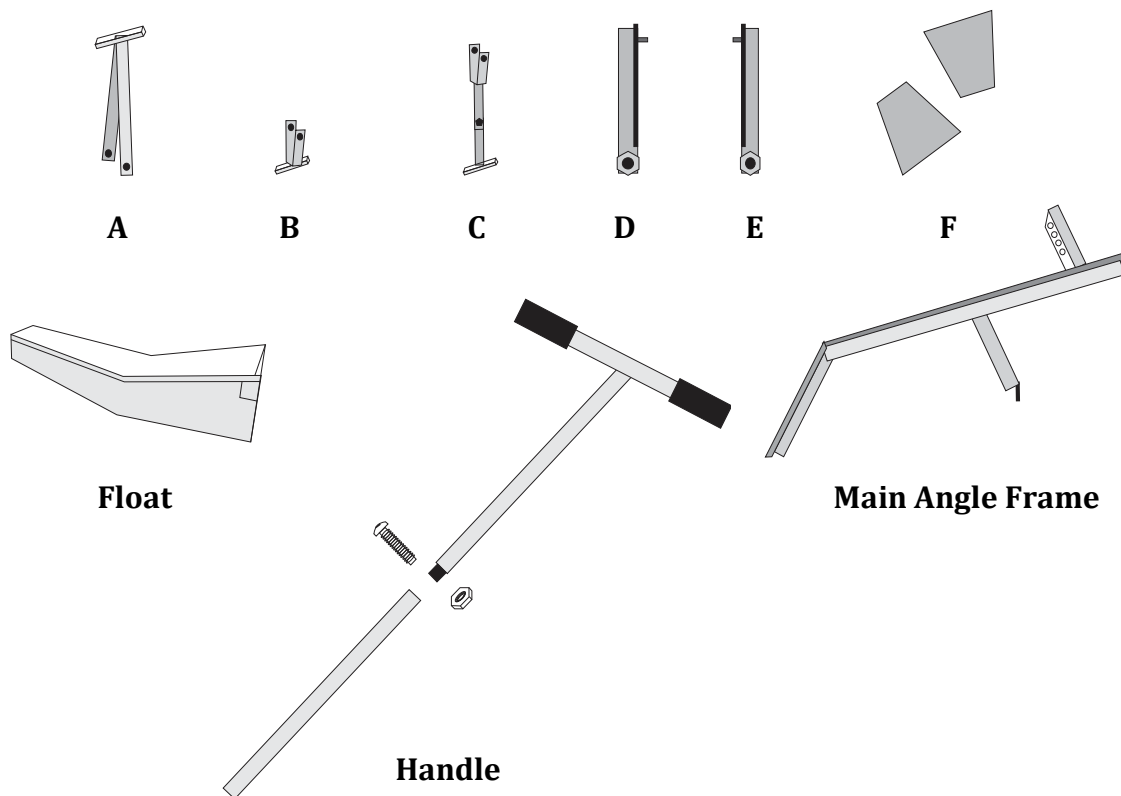
USER'S MANUAL



INTRODUCTION:

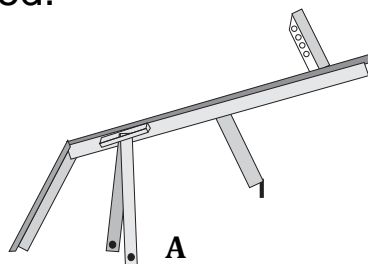
- Venus Cono Weeder is used for weeding of paddy fields where sowing is done in rows by any method. It reduces the labour cost in phenomenal measures.
- Venus Cono Weeder is manufactured on a strong and durable frame, which can withstand any kind of physical stress.
- The cones of Venus Cono Weeder are heavy in weight and are strong enough to ensure optimum high speed maneuvering.
- Venus Cono Weeder can be easily assembled for use and equally easily disassembled for cleaning, maintenance and storage.
- Venus Cono Weeder can be used in any kind of rice growing field provided that all instructions given in this manual are strictly adhered to.
- Fully assembled Venus Cono Weeder is used by a single person.
- The user is advised to strictly follow the complete instructions given in this manual to ensure maximum advantages.

ASSEMBLING THE VENUS CONO WEEDER:

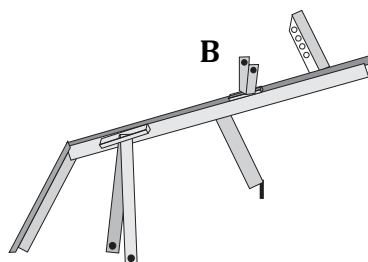


Venus Cono Weeder can be assembled in a few minutes.

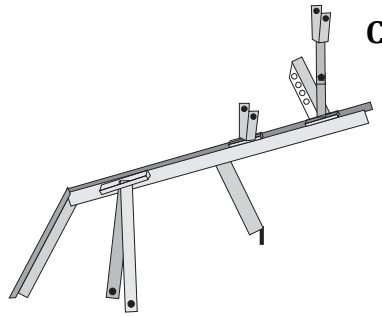
- First attach 'V' shaped fork (Part 'A') with main angle frame of the weeder with the help of the nuts and bolts provided.



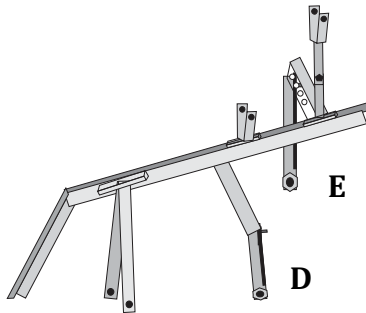
- Attach 'U' shaped handle holder Part 'B' on top of main angle frame.



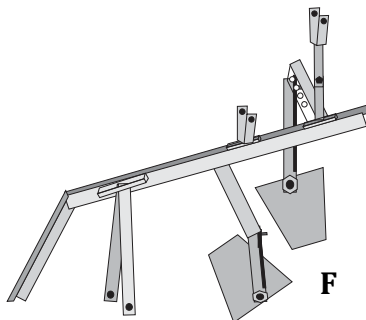
- Attach the flat shaped base of Part 'C' on top of main angle frame using the Nuts and Bolts provided. This has the other 'U' shaped support already fixed for attaching handle.



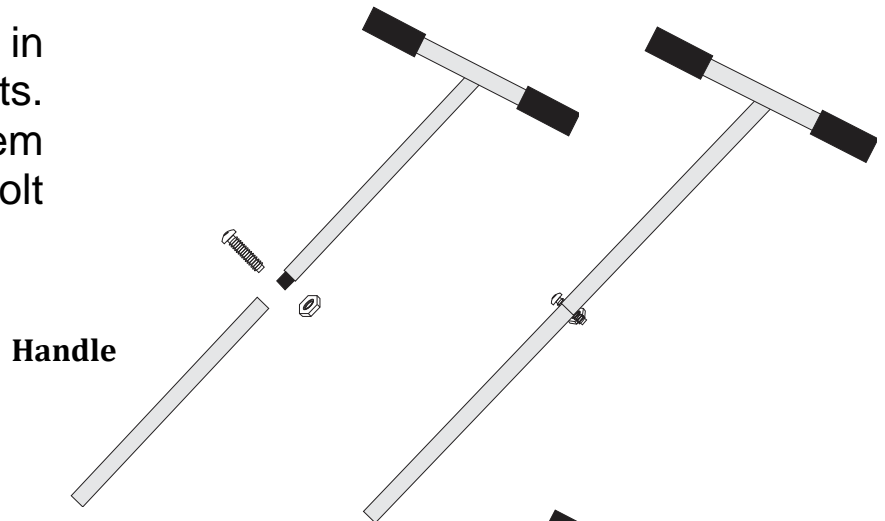
- Now take Part 'D' and Part 'E' which have a big nut welded on one end and a pin on the other end. Attach Part 'D' with the help of the nut and bolt provided to the slotted angle welded on the main angle frame of the weeder. Likewise attach Part 'E' on the other slotted angle welded on the main angle frame. Please note that Part 'D' and Part 'E' are mirror images of each other.



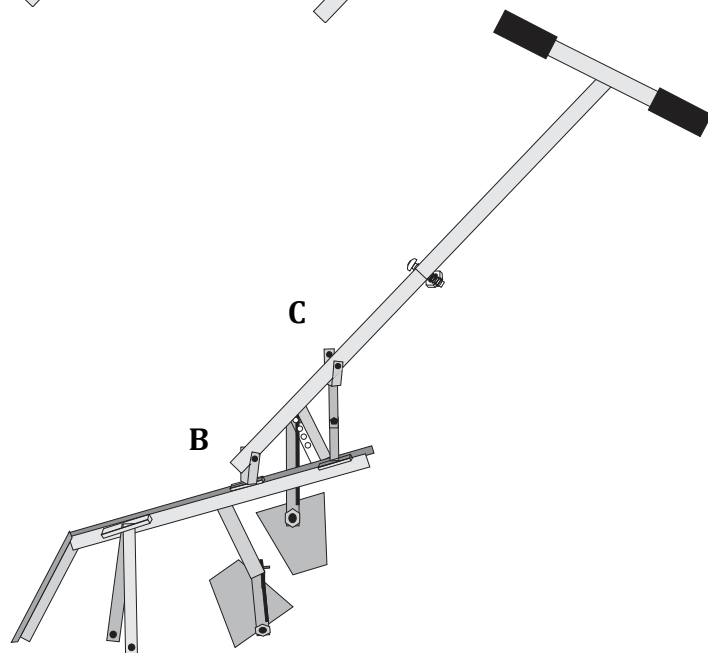
- Take one of the Cones Part 'F' and attach it to the Part 'D' using big Bolt provided as shown in the diagram. Similarly attach the other Cone Part 'F' with Part 'E' in opposite direction using the big Bolt provided.



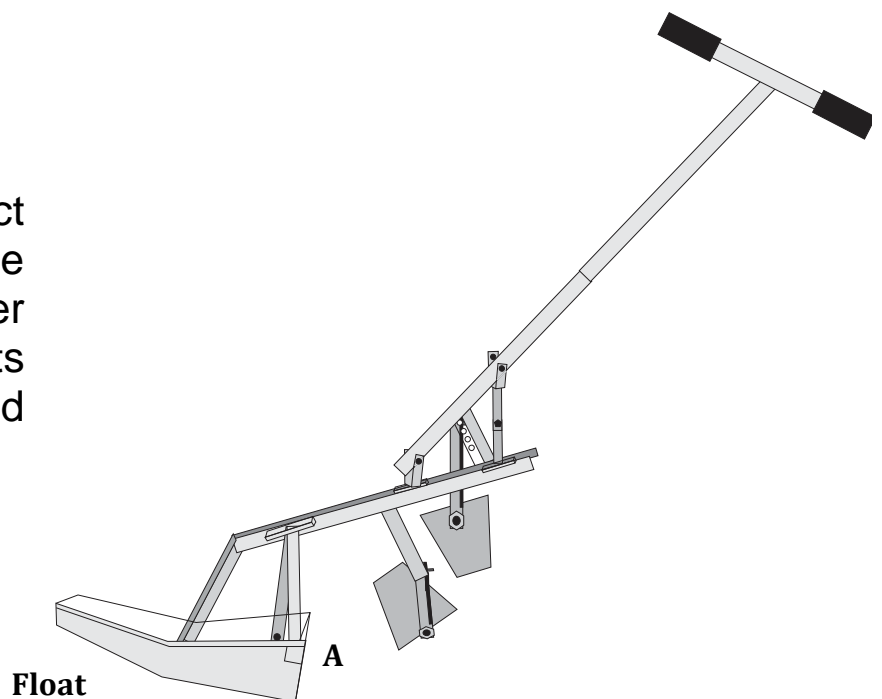
- The handle is in two parts. Connect them with Nut & Bolt provided.



- Connect the handle with 'U' shaped Part 'B' and Part 'C' on the main frame using nuts and bolts provided.



- Finally, connect the float with the cono weeder using the 3 sets of Nuts and bolts provided.



Your Venus Cono Weeder is ready for use!

HOW TO USE CONO WEEDER:

- The use of Venus Cono weeder has proved very helpful in weeding the fields sown with Drum seeder.
- Cono weeder should only be used in wet paddy fields. ***Do not use it in dry fields.***
- Place the Cono weeder between two rows at one end of the paddy field.
- Move the cono weeder in forward and backward motion (***Pull and push***) while moving forward in between the rows.
- Use the weeder in the empty spaces between the rows in both directions.
- Care should be taken not to damage the crop.
- The serrated blades mounted on top of the cones will cut the weeds and the plane blades will level the field as the cono weeder moves.

WEEDING:

- Growth and proliferation of weeds is arrested naturally if the rice field is kept flooded with water as instructed above.
- However regular care is important and physical weeding may be required at regular intervals.
- Usually first proper weeding is undertaken about 10 days after sowing.
- Two (2) more physical weedings may be required in intervals of 10 days as seedlings grow and mature.

MAINTENANCE AND CARE:

- Once the complete weeding of paddy field is achieved, the cono weeder must be thoroughly cleaned.
- All parts of the cono weeder must be dried and stored in dry and moisture free storage area to avoid rusting and damage.
- Use machine oil on the bolts connecting the two cones.

- ***Special care should be taken so that Rats and other rodents do not chew and destroy the plastic float of the cono weeder.***

SPARE PARTS:

- All parts of the Venus Cono Weeder are available on payment.
- The user can refer to the Venus Cono Weeder website www.drumseeders.com and send a request to any of the contacts given there.